

4

3

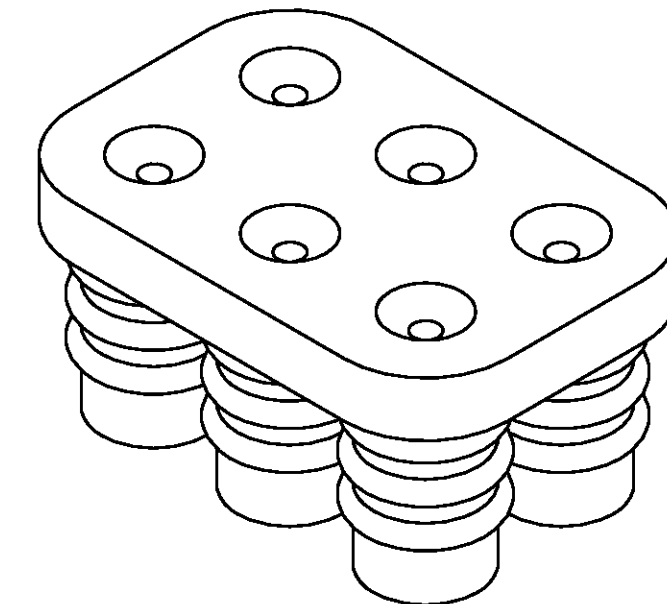
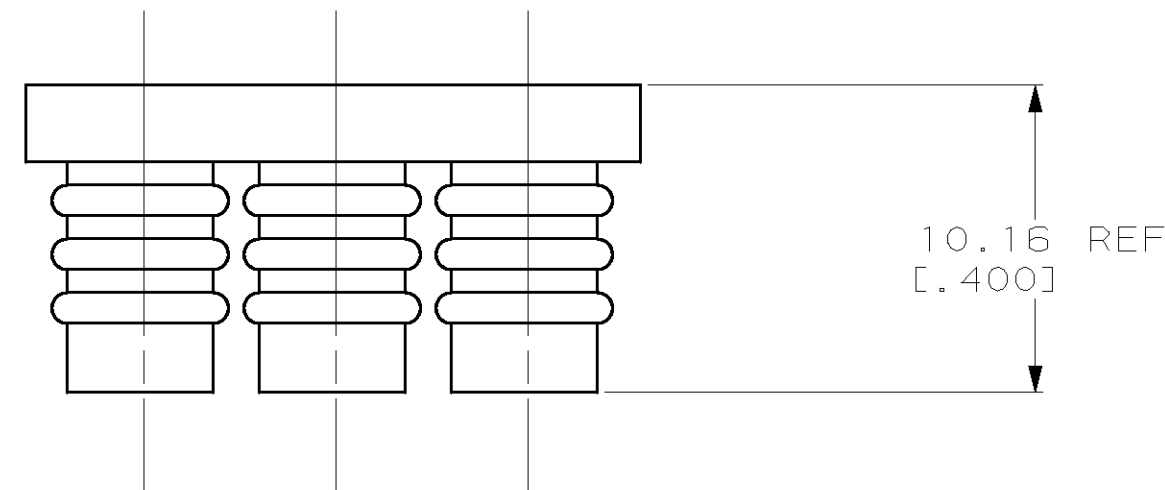
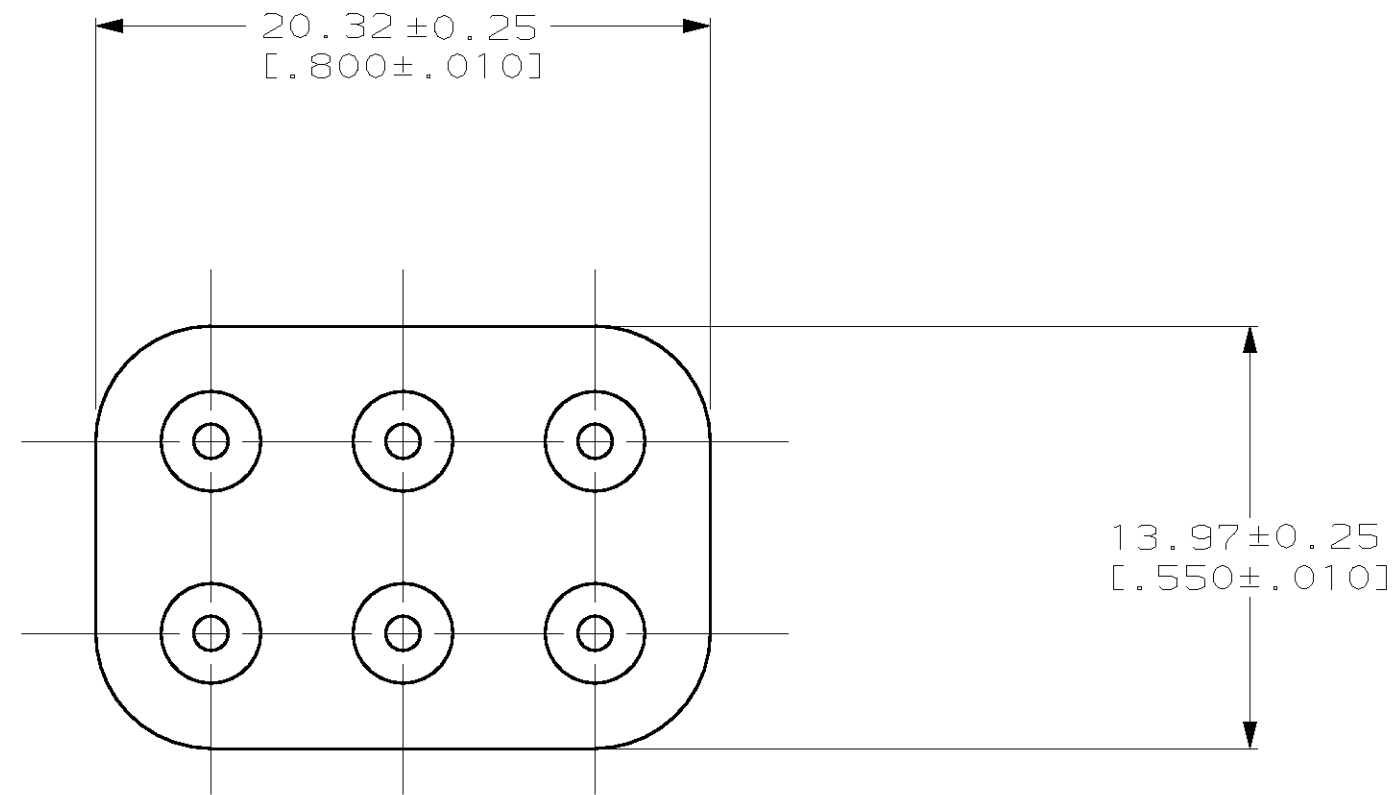
2

1

THIS DRAWING IS UNPUBLISHED. RELEASED FOR PUBLICATION .19
 (C) COPYRIGHT 19 BY AMP INCORPORATED. ALL RIGHTS RESERVED.

LOC		DIST		REVISIONS			
P	LTR	DESCRIPTION	DATE	DWN	APVD		
CM	53	A	REV PER EC 061B-0062-98	4-6-98	JH RS		

- 1. MATERIAL: SELF LUBRICATING SILICON RUBBER
COLOR: BLUE
- 2. DIMENSIONS IN BRACKETS ARE IN INCHES.



3-DIMENSIONAL MODEL NTS

794276-1
PART NUMBER

METRIC

THIS DRAWING IS A CONTROLLED DOCUMENT.		DWN	B. LEWIS	3-25-97	AMP Incorporated Harrisburg, PA 17105-3608
DIMENSIONS: INCHES		CHK	R. SWING	3-25-97	
TOLERANCES UNLESS OTHERWISE SPECIFIED: 0 PLC ± 1 PLC ± 2 PLC ± 3 PLC ±0.13 [1.005] 4 PLC ± ANGLES ±0°30'		APVD	D. SELF	3-25-97	
MATERIAL		PRODUCT SPEC		NAME	
FINISH		APPLICATION SPEC		WIRE SEAL, 6 CIRCUIT, UNIVERSAL MATE-N-LOK™	
MATERIAL		WEIGHT		SIZE	RESTRICTED TO
CUSTOMER DRAWING		SCALE 4:1		CAGE CODE	DRAWING NO
		SHEET 1 OF 1		A2 00779	C-794276
		REV A			

794276